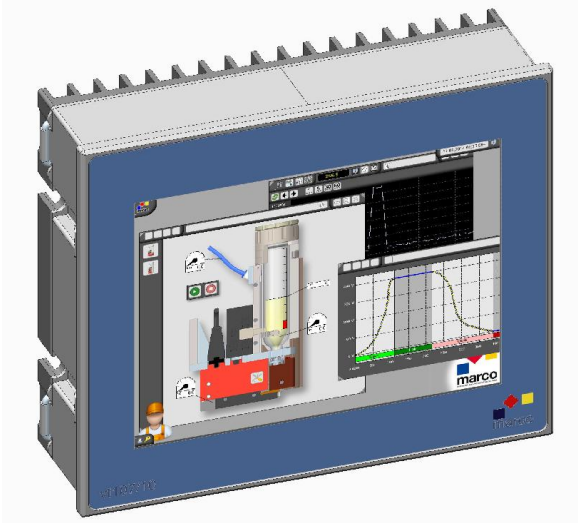


Vistec HMI 10 " Touch Terminal



- 10 inch (1024 x 768) Display
- 10 finger touch screen
- Intel Atom D2550, 1.86 GHz
- 4 GB RAM
- 120 GB SSD
- 2x 10/100/1000 MBit/s Ethernet
- USB
- Optional *ehm* valve driver
- Dust and waterproof front
- Fanless

Figure 1: vis/vt107/10*

Technical data

Dimensions HxWxD[mm]	233.5 x 270 x 81
Panel cut-out area HxW[mm]	225.5 x 262.5 (see figure 2)
Weight	4 kg + 0.35 kg per <i>ehm</i> module
Operation	resistive touch technology <i>vis/vt107/10d<xxx>a</i> capacitive touch technology <i>vis/vt107/10m<xxx>a</i> (not for new applications)
Power supply	24 VDC +/- 25 % 1x computer, communication 1x piezo module
Housing	metal; lockable electronic compartment; designed for mounting in a control cabinet
Ambient temperature	0 to +40 °C
Cooling	fanless, >25 mm space between back of device and mounting panel

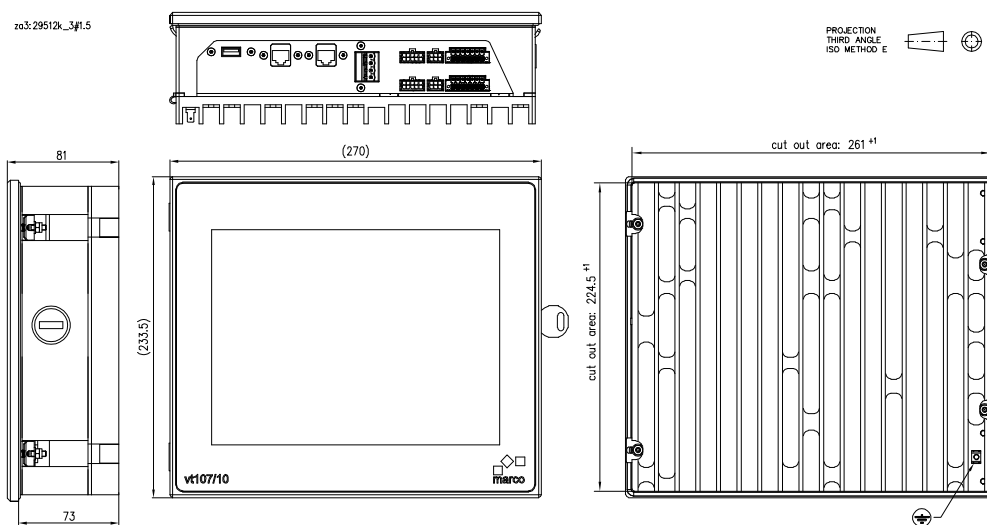


Figure 2: HMI vis/vt107/10* dimensions

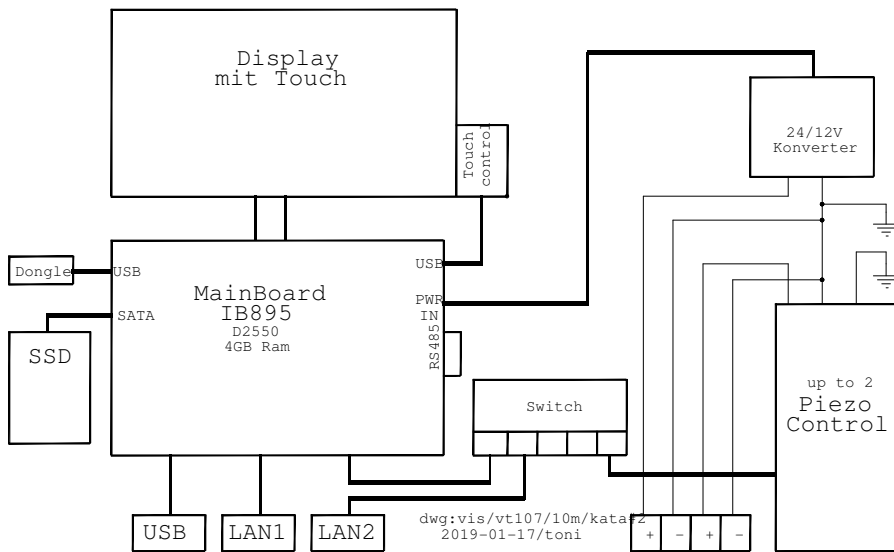


Figure 3: Schematic overview (*Dongle only with capacitive terminal vis/vt107/10m*)

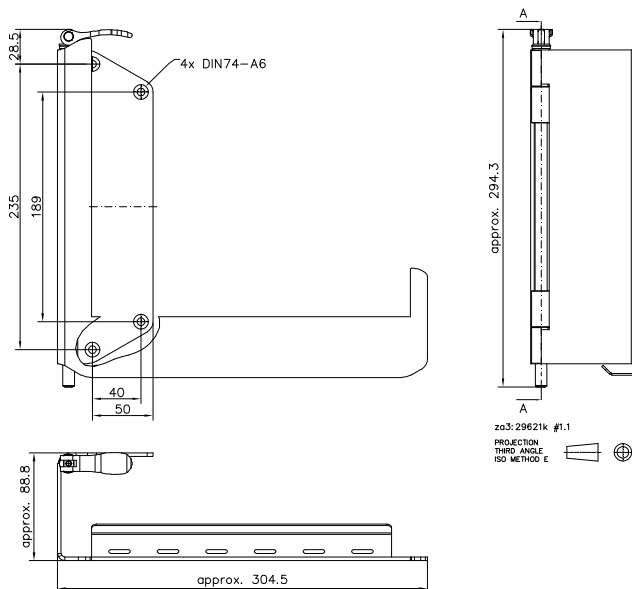


Figure 4: mounting fixture for vis/vt107/10*

Application

Together with VisTwo software, the Vistec HMI 10" terminal is used to visualise, monitor and control systems and processes such as the marco *mts* dispensing, *ps/ulm* sensor systems and automated production processes.



Safety notice: To ensure safe operation the HMI must be grounded (flat connector at back of housing).

Order number	Description
vis/vt107/10d0a	Vistec HMI resistive 10" touch terminal, without an <i>ehm</i> module
vis/vt107/10d1a	Vistec HMI resistive 10" touch terminal, with 1 <i>ehm</i> module
vis/vt107/10d2a	Vistec HMI resistive 10" touch terminal, with 2 <i>ehm</i> modules
vis/vt107/10mh	Mounting fixture for terminal
mtv/ps/280v	24 V power supply